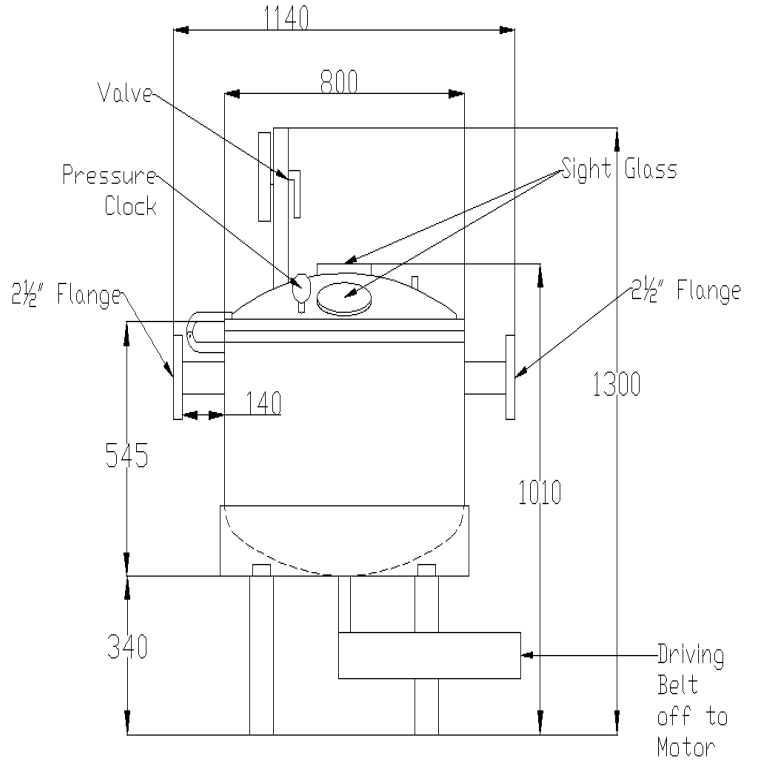


REF: KS082
Description: 230Lt Single Skin Mixing Vessel
Qty: 1 x No.



Technical Specifications:

Vessel Volume:	230 Lt approx.
Mat'l of Construction:	ASTM SS316
Empty Vessel Weight:	100Kg
Overall Dimensions:	1.3m high x 1.14m wide
Outside Diameter:	Ø800 mm
Drain Outlet:	3" Pipe
Supports:	4 x No. Legs

Note:
All technical information is given as guide and are not to take as absolute measurements.