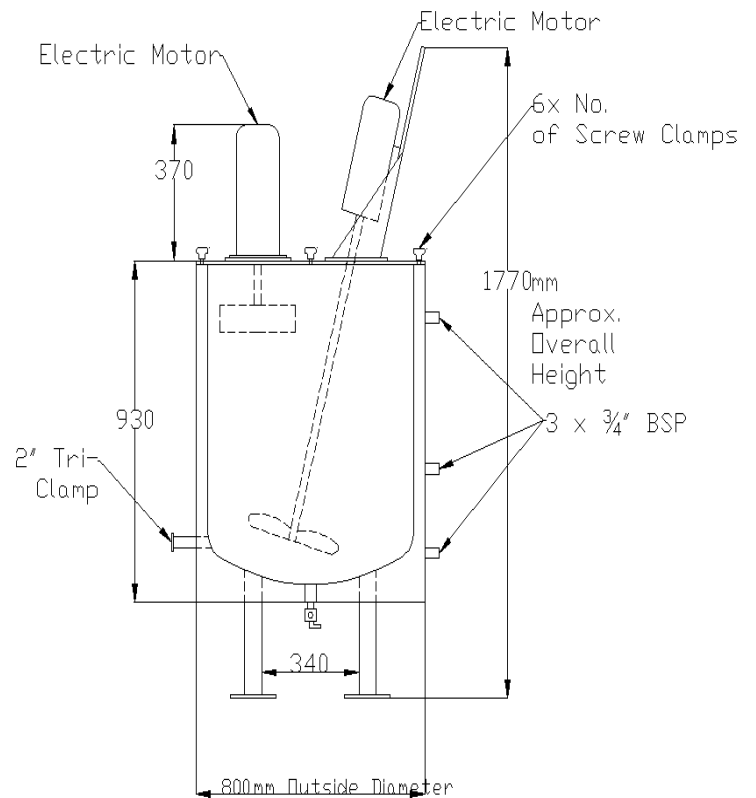


REF: KS080  
Description: 360Lt Jacketed Mixing Vessel c/w Mixing Agitator  
Qty: 1 x No.



**Technical Specifications:**

Vessel Volume:	360 Lt approx.
Mat'l of Construction:	ASTM SS316
Empty Vessel Weight:	100Kg
Overall Dimensions:	1.7m high x 0.8m wide
Outside Diameter:	Ø800 mm
Drain Outlet:	2" Tri-Clamp
Supports:	4 x No. Legs

Note:  
All technical information is given as guide and are not to take as absolute measurements.