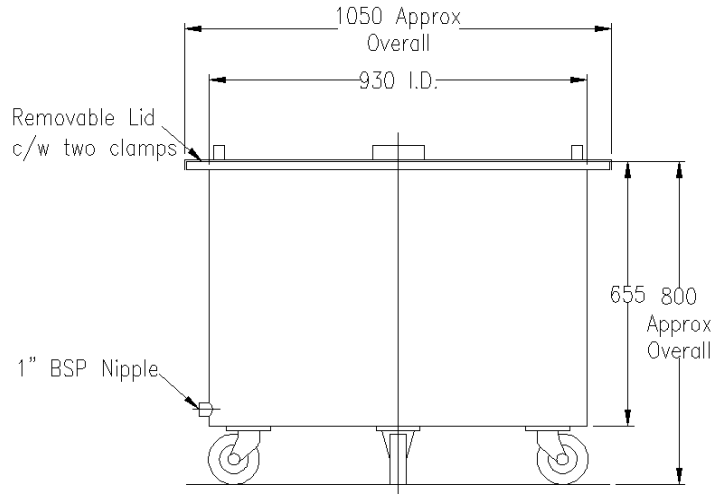


REF: KS029

Description: 400Lt Single Skin Mobile Vessel c/w removable Lid

Qty: 1 No.



Technical Specifications:

Vessel Volume:	400 Lt approx.
Mat'l of Construction:	ASTM SS304
Empty Vessel Weight:	130Kg
Overall Dimensions:	0.8m high x Ø1.05m
Inside Diameter:	Ø930 mm
Drain Outlet:	1" BSP Nipple
Supports:	3 No. Castors

Note:
All technical information is given as guide and are not to take as absolute measurements.