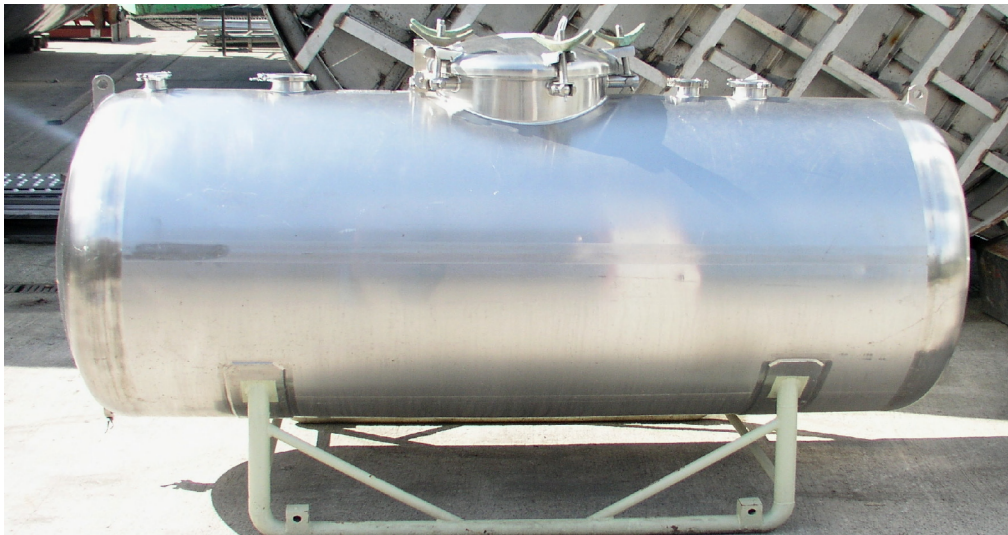
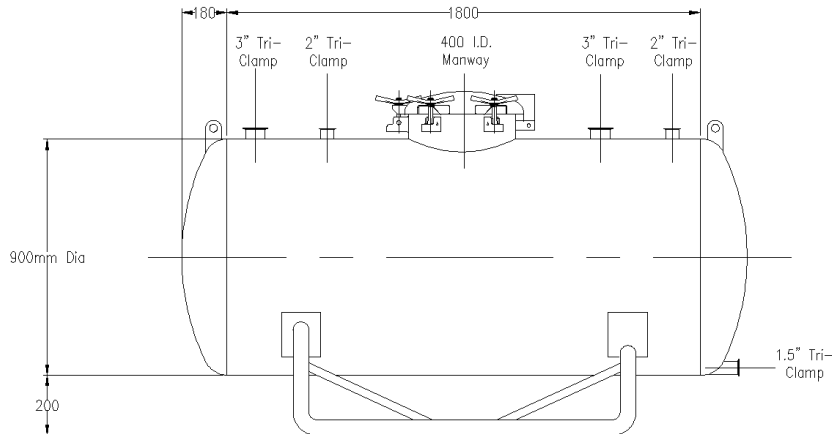


REF: KS016
Description: 1,250Lt Horizontal Pressure Vessel
Qty: 1 No.



Technical Specifications:

Vessel Volume:	1,250 Lt approx.
Empty Vessel Weight:	400Kg approx
Mat'l of Construction:	ASTM SS316
Overall Height:	1.3m
Overall Length:	2.2m
Outside Diameter:	900mm
Drain Outlet:	1.5" Tri Clamp

Note:
All technical information is given as guide and are not to take as absolute measurements.